

# MITSUBISHI LSIs

## M5M5256CP,FP,KP,VP,RV-55LL,-55XL,-70LL,-70XL

262144-BIT(32768-WORD BY 8-BIT)CMOS STATIC RAM

### DESCRIPTION

This M5M5256CP,FP,KP,VP,RV is a 262144-bit CMOS static RAMs organized as 32768-words by 8-bits which is fabricated using high-performance 3 polysilicon CMOS technology. The use of resistive load NMOS cells and CMOS periphery result in a high-density and low-power static RAM. Stand-by current is small enough for battery back-up applicator. It is ideal for the memory systems which require simple interface.

Especially the M5M5256CVP, RV are packaged in a 28-pin thin small outline package. Two types of devices are available, M5M5256CVP (normal lead bend type package) and M5M5256CRV (reverse lead bend type package). Using both type of devices, it becomes very easy to design a printed circuit board.

### FEATURES

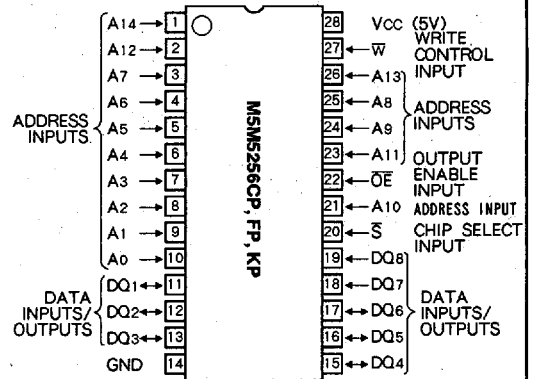
Type name	Access time (max)	Power supply current	
		Active (max)	Stand-by (max)
M5M5256CP, FP, KP, VP, RV-55LL M5M5256CP, FP, KP, VP, RV-70LL	55ns 70ns	60mA (V <sub>CC</sub> =5.5V)	20 μA (V <sub>CC</sub> = 5.5V)
M5M5256CP, FP, KP, VP, RV-55XL M5M5256CP, FP, KP, VP, RV-70XL	55ns 70ns		5 μA (V <sub>CC</sub> = 5.5V) 0.05 μA (V <sub>CC</sub> = 3V, typ)

- Single +5V power supply
- No clocks, no refresh
- Data-hold on +2V power supply
- Directly TTL compatible: All inputs and outputs
- Three-state outputs: OR-tie capability
- Simple memory expansion by S
- OE prevents data contention in the I/O bus
- Common data I/O
- Low stand-by current ..... 0.05 μA (typ)
- Package
  - M5M5256CP..... 28 pin 600 mil DIP
  - M5M5256CKP..... 28 pin 300 mil DIP
  - M5M5256CFP..... 28 pin 450 mil SOP
  - M5M5256CVP, RV..... 28pin 8 × 13.4mm<sup>2</sup> TSOP

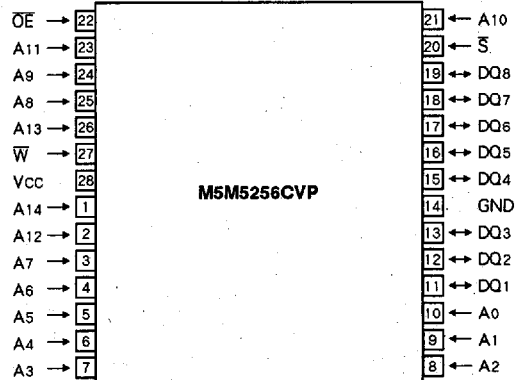
### APPLICATION

Small capacity memory units

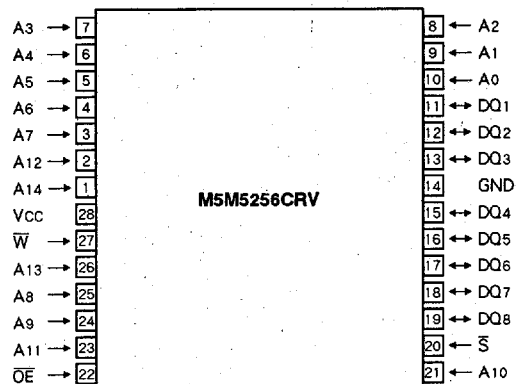
### PIN CONFIGURATION (TOP VIEW)



28P4(P)  
Outline 28P2W-C (FP)  
28P4Y (KP)



Outline 28P2C-A



Outline 28P2C-B

# M5M5256CP,FP,KP,VP,RV-55LL,-55XL,-70LL,-70XL

262144-BIT(32768-WORD BY 8-BIT)CMOS STATIC RAM

## FUNCTION

The operation mode of the M5M5256CP,FP,KP,VP,RV is determined by a combination of the device control inputs  $\bar{S}$ ,  $\bar{W}$  and  $\bar{OE}$ . Each mode is summarized in the function table.

A write cycle is executed whenever the low level  $\bar{W}$  overlaps with the low level  $\bar{S}$ . The address must be set-up before the write cycle and must be stable during the entire cycle. The data is latched into a cell on the trailing edge of  $\bar{W}$ ,  $\bar{S}$ , whichever occurs first, requiring the set-up and hold time relative to these edge to be maintained. The output enable  $\bar{OE}$  directly controls the output stage. Setting the  $\bar{OE}$  at a high level, the output stage is in a high-impedance state, and the data bus contention problem in the write cycle is eliminated.

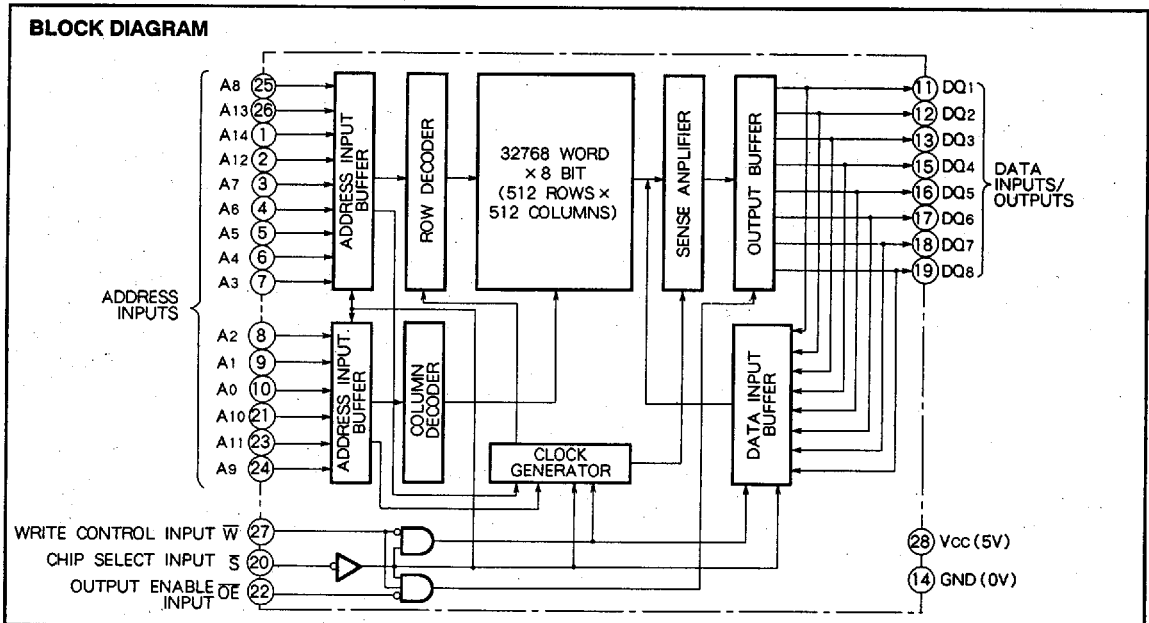
A read cycle is executed by setting  $\bar{W}$  at a high level and  $\bar{OE}$  at a low level while  $\bar{S}$  are in an active state.

When setting  $\bar{S}$  at a high level, the chip is in a non-selectable mode in which both reading and writing are disabled. In this mode, the output stage is in a high-impedance state, allowing OR-tie with other chips and memory expansion by  $\bar{S}$ . The power supply current is reduced as low as the stand-by current which is specified as  $I_{CC3}$  or  $I_{CC4}$ , and the memory data can be held +2V power supply, enabling battery back-up operation during power failure or power-down operation in the non-selected mode.

## FUNCTION TABLE

$\bar{S}$	$\bar{W}$	$\bar{OE}$	Mode	DQ	I <sub>CC</sub>
H	X	X	Non selection	High-impedance	Stand-by
L	L	X	Write	D <sub>in</sub>	Active
L	H	L	Read	D <sub>out</sub>	Active
L	H	H		High-impedance	Active

## BLOCK DIAGRAM



6249825 0027807 694

M5M5256CP,FP, KP,VP,RV-55LL,-55XL,-70LL,-70XL

262144-BIT(32768-WORD BY 8-BIT)CMOS STATIC RAM

ABSOLUTE MAXIMUM RATINGS

Symbol	Parameter	Conditions	Ratings	Unit
V <sub>cc</sub>	Supply voltage	With respect to GND	- 0.3~7	V
V <sub>I</sub>	Input voltage		- 0.3*~V <sub>cc</sub> +0.3	V
V <sub>O</sub>	Output voltage		0~V <sub>cc</sub>	V
P <sub>d</sub>	Power dissipation	T <sub>a</sub> = 25 °C	700	mW
T <sub>opr</sub>	Operating temperature		0~70	°C
T <sub>stg</sub>	Storage temperature		- 65~150	°C

\* - 3.0V in case of AC(Pulse width ≤ 30ns)

DC ELECTRICAL CHARACTERISTICS (T<sub>a</sub> = 0~70 °C, V<sub>cc</sub> = 5V ± 10%, unless otherwise noted)

Symbol	Parameter	Test conditions	Limits			Unit
			Min	Typ	Max	
V <sub>IH</sub>	High-level input voltage		2.2		V <sub>cc</sub> +0.3	V
V <sub>IL</sub>	Low-level input voltage		- 0.3*		0.8	V
V <sub>OH1</sub>	High-level output voltage 1	I <sub>OH</sub> = - 1mA	2.4			V
V <sub>OH2</sub>	High-level output voltage 2	I <sub>OH</sub> = - 0.1mA	V <sub>cc</sub> -0.5			V
V <sub>OL</sub>	Low-level output voltage	I <sub>OL</sub> = 2mA			0.4	V
I <sub>I</sub>	Input leakage current	V <sub>I</sub> = 0~V <sub>cc</sub>			± 1	μ A
I <sub>O</sub>	Output leakage current	$\bar{S} = V_{IH}$ or OE = V <sub>IH</sub> , V <sub>I/O</sub> = 0~V <sub>cc</sub>			± 1	μ A
I <sub>CC1</sub>	Active supply current (AC, MOS level)	$\bar{S} \leq 0.2V$ Other inputs ≤ 0.2V or ≥ V <sub>cc</sub> - 0.2V Output open Min.cycle	55ns	35	55	mA
			70ns	30	50	
I <sub>CC2</sub>	Active supply current (AC, TTL level)	$\bar{S} = V_{IL}$ Other inputs = V <sub>IH</sub> or V <sub>IL</sub> Output open Min.cycle	55ns	40	60	mA
			70ns	35	55	
I <sub>CC3</sub>	Stand-by supply current	$\bar{S} \geq V_{cc} - 0.2V$ , Other inputs = 0~V <sub>cc</sub>	-LL		20	μ A
			-XL	0.1	5	
I <sub>CC4</sub>	Stand-by supply current	$\bar{S} = V_{IH}$ , Other inputs = 0~V <sub>cc</sub>			3	mA

\* - 3.0V in case of AC(Pulse width 30ns)

CAPACITANCE (T<sub>a</sub> = 0~70 °C, V<sub>cc</sub> = 5V ± 10%, unless otherwise noted)

Symbol	Parameter	Test conditions	Limits			Unit
			Min	Typ	Max	
C <sub>I</sub>	Input capacitance (T <sub>a</sub> = 25 °C)	V <sub>I</sub> = GND, V <sub>I</sub> = 25mVrms, f = 1MHz			6	pF
C <sub>O</sub>	Output capacitance (T <sub>a</sub> = 25 °C)	V <sub>O</sub> = GND, V <sub>O</sub> = 25mVrms, f = 1MHz			8	pF

Note 1. Direction for current flowing into IC is indicated as positive.(no mark)

2. Typical value is V<sub>cc</sub> = 5V, T<sub>a</sub> = 25 °C.

3. C<sub>I</sub>, C<sub>O</sub> are periodically sampled and are not 100% tested.

6249825 0027808 520



M5M5256CP,FP,KP,VP,RV-55LL,-55XL,-70LL,-70XL

262144-BIT(32768-WORD BY 8-BIT)CMOS STATIC RAM

AC ELECTRICAL CHARACTERISTICS (Ta = 0~70°C, Vcc = 5V ± 10%, unless otherwise noted)

(1) MEASUREMENT CONDITIONS

Input pulse level.....VIH = 2.4V, VIL = 0.6V

Input rise and fall time .....5ns

Reference level.....VOH = VOL = 1.5V

Transition is measured ± 500mV from steady state voltage.(for ten, tdis)

Output loads.....Fig.1. CL = 50pF

CL = 5pF (for ten, tdis)

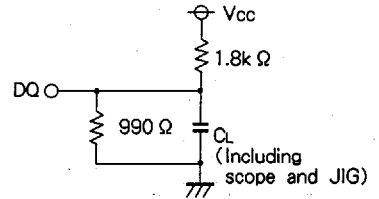


Fig.1 Output load

(2) READ CYCLE

Symbol	Parameter	Limits						Unit
		M5M5256C-55LL M5M5256C-55XL			M5M5256C-70LL M5M5256C-70XL			
		Min	Typ	Max	Min	Typ	Max	
tCR	Read cycle time	55			70			ns
ta(A)	Address access time			55			70	ns
ta(S)	Chip select access time			55			70	ns
ta(OE)	Output enable access time			30			35	ns
tdis(S)	Output disable time after $\bar{S}$ high			20			25	ns
tdis(OE)	Output disable time after $\overline{OE}$ high			20			25	ns
ten(S)	Output enable time after $\bar{S}$ low	5			5			ns
ten(OE)	Output enable time after $\overline{OE}$ low	5			5			ns
tv(A)	Data valid time after address	10			10			ns

(3) WRITE CYCLE

Symbol	Parameter	Limits						Unit
		M5M5256C-55LL M5M5256C-55XL			M5M5256C-70LL M5M5256C-70XL			
		Min	Typ	Max	Min	Typ	Max	
tcw	Write cycle time	55			70			ns
tw(W)	Write pulse width	45			55			ns
tsu(A)	Address set up time	0			0			ns
tsu(A-WH)	Address set up time with respect to $\bar{W}$ high	50			65			ns
tsu(S)	Chip select set up time	50			65			ns
tsu(D)	Data set up time	25			30			ns
th(D)	Data hold time	0			0			ns
trec(W)	Write recovery time	0			0			ns
tdis(W)	Output disable time after $\bar{W}$ low			20			25	ns
tdis(OE)	Output disable time after $\overline{OE}$ high			20			25	ns
ten(W)	Output enable time after $\bar{W}$ high	5			5			ns
ten(OE)	Output enable time after $\overline{OE}$ low	5			5			ns

6249825 0027809 467

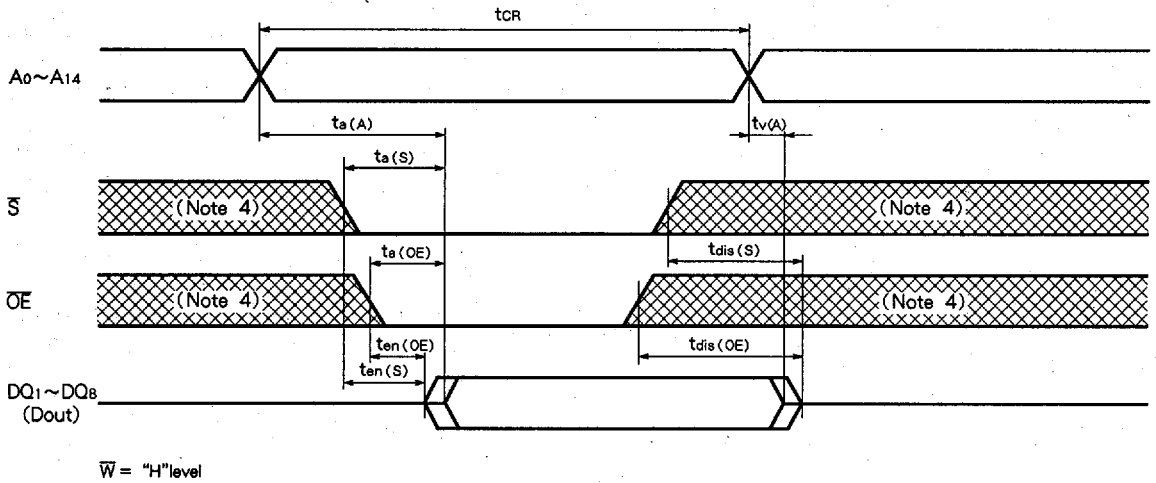


M5M5256CP,FP, KP,VP, RV-55LL,-55XL,-70LL,-70XL

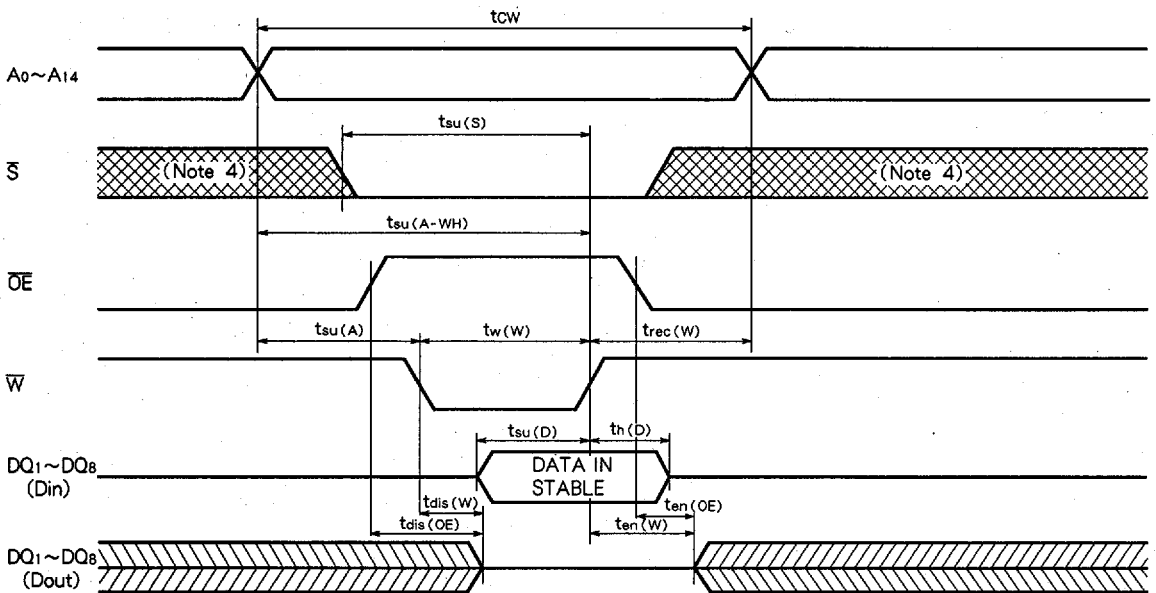
262144-BIT(32768-WORD BY 8-BIT)CMOS STATIC RAM

(4) TIMING DIAGRAMS

Read Cycle



Write cycle ( $\bar{W}$  control mode)

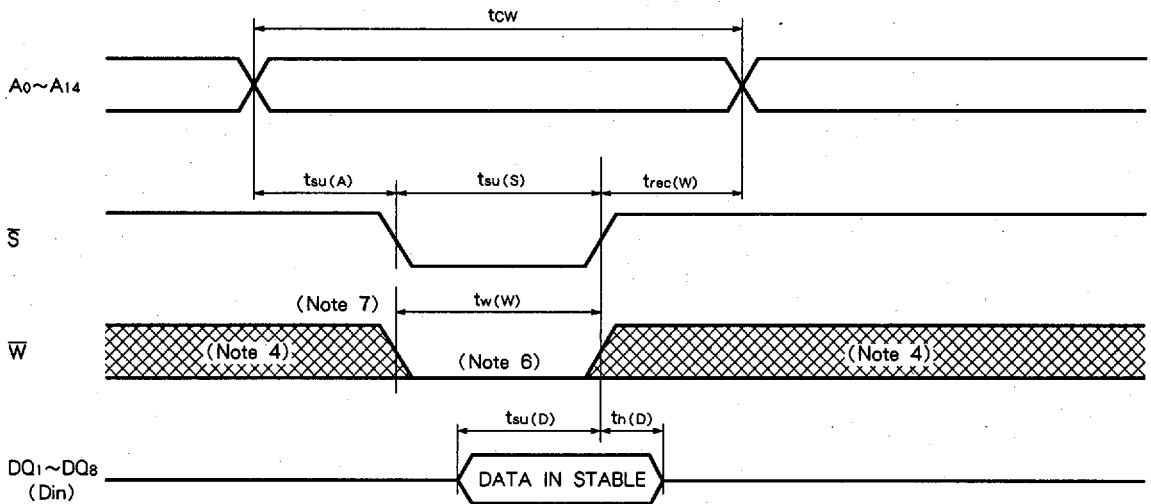


6249825 0027810 189

M5M5256CP,FP, KP,VP, RV-55LL,-55XL,-70LL,-70XL

262144-BIT(32768-WORD BY 8-BIT)CMOS STATIC RAM

Write cycle ( $\bar{S}$  control mode)



Note 4. Hatching indicates the state is don't care.

5. Writing is executed in overlap of  $\bar{S}$  and  $\bar{W}$  low.

6. If  $\bar{W}$  goes low simultaneously with or prior to  $\bar{S}$ , the output remains in the high-impedance state.

7. Don't apply inverted phase signal externally when DQ pin is in output mode.

8.  $t_{en}$ ,  $t_{dis}$  are periodically sampled and are not 100% tested.

6249825 0027811 015



M5M5256CP,FP,KP,VP,RV-55LL,-55XL,-70LL,-70XL

262144-BIT(32768-WORD BY 8-BIT)CMOS STATIC RAM

POWER DOWN CHARACTERISTICS

(1) ELECTRICAL CHARACTERISTICS (Ta = 0~70°C, Vcc = 5V ± 10%, unless otherwise noted)

Symbol	Parameter	Test conditions	Limits			Unit
			Min	Typ	Max	
Vcc(PD)	Power down supply voltage		2			V
Vi( $\bar{S}$ )	Chip select input $\bar{S}$	$2.2V \leq V_{cc(PD)}$	2.2			V
		$2V \leq V_{cc(PD)} \leq 2.2V$		Vcc(PD)		
Icc(PD)	Power down supply current	Vcc = 3V	-LL		10*	$\mu A$
		Other inputs = 3V	-XL		2**	$\mu A$

\* Ta = 25°C, Icc(PD) = 1  $\mu A$

\*\* Ta = 25°C, Icc(PD) = 0.2  $\mu A$

(2) TIMING REQUIREMENTS (Ta = 0~70°C, Vcc = 5V ± 10%, unless otherwise noted)

Symbol	Parameter	Test conditions	Limits			Unit
			Min	Typ	Max	
t <sub>su</sub> (PD)	Power down set up time		0			ns
t <sub>rec</sub> (PD)	Power down recovery time		t <sub>CR</sub>			ns

(3) POWER DOWN CHARACTERISTICS

$\bar{S}$  control mode

